

Parts List			
ITEM	PART #	DESCRIPTION	NOTES
1	K1592	Series 7 Hinge Body	Assembly
2	K1655	Extended 1/4 Round Retainer w-Reveal	Assembly
43	5280	Hinge Screw	Drill 11/32" Pilot Hole
44	5230	Closure Screw	Drill #10 Counter Sink

Ship To:

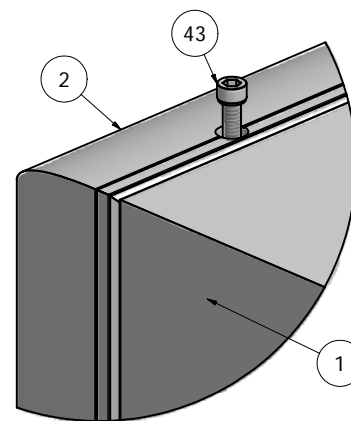
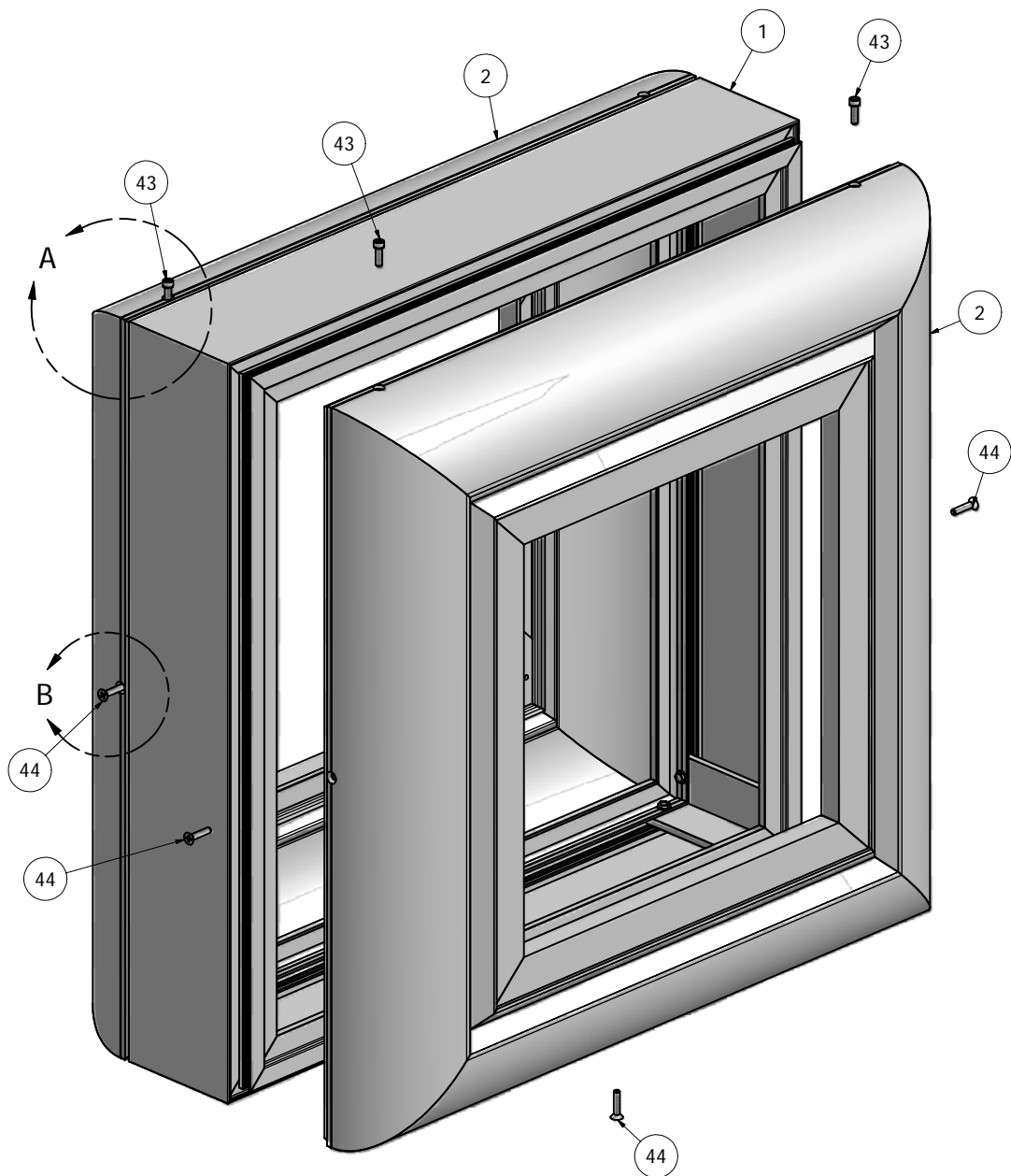
Order #:

D

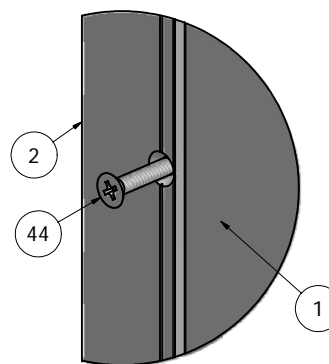
C

B

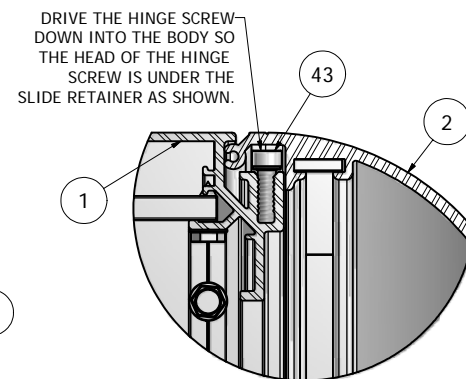
A



DETAIL A



DETAIL B



DETAIL D

NOTE: PRE-CUT KITS ARE NOT PRE-DRILLED.

(Holes shown in this drawing are for reference only.
Drilling of pilot holes are to be done by fabricator.)

THIS DRAWING WAS CREATED AT NO CHARGE TO ASSIST YOU IN VISUALIZING OUR PROPOSAL. THE DRAWING HEREIN IS THE PROPERTY OF SIGNCOMP. PERMISSION TO COPY OR REVISE THIS DRAWING OR TO USE THIS DRAWING FOR PRODUCTION IS STRICTLY PROHIBITED AND CAN ONLY BE COPIED, REVISED OR USED FOR PRODUCTION WITH THE EXPRESSED WRITTEN PERMISSION OF SIGNCOMP.

DRAWN	Steve	12/23/2008	SignComp		
CHECKED					
QA					
MFG					
APPROVED			Series 7 Hinge Body with Extended 1/4 Round Retainer with Reveal - Assembly		
			SIZE	DWG NO	REV
			C	1592/1655	
			SCALE	SHEET 1 OF 1	

4

3

2

1

1

D

C

B

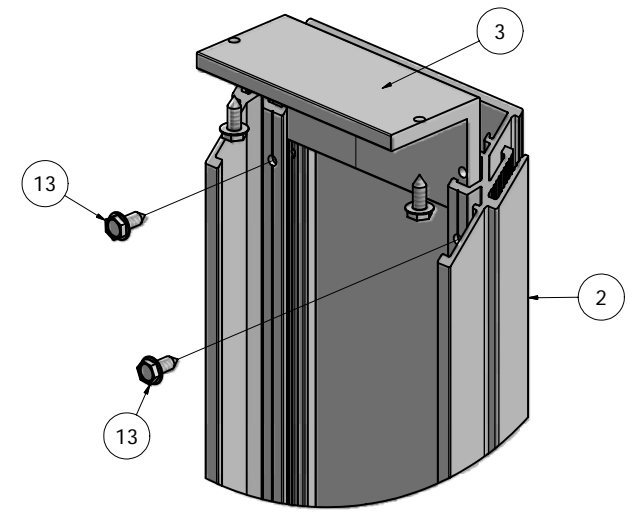
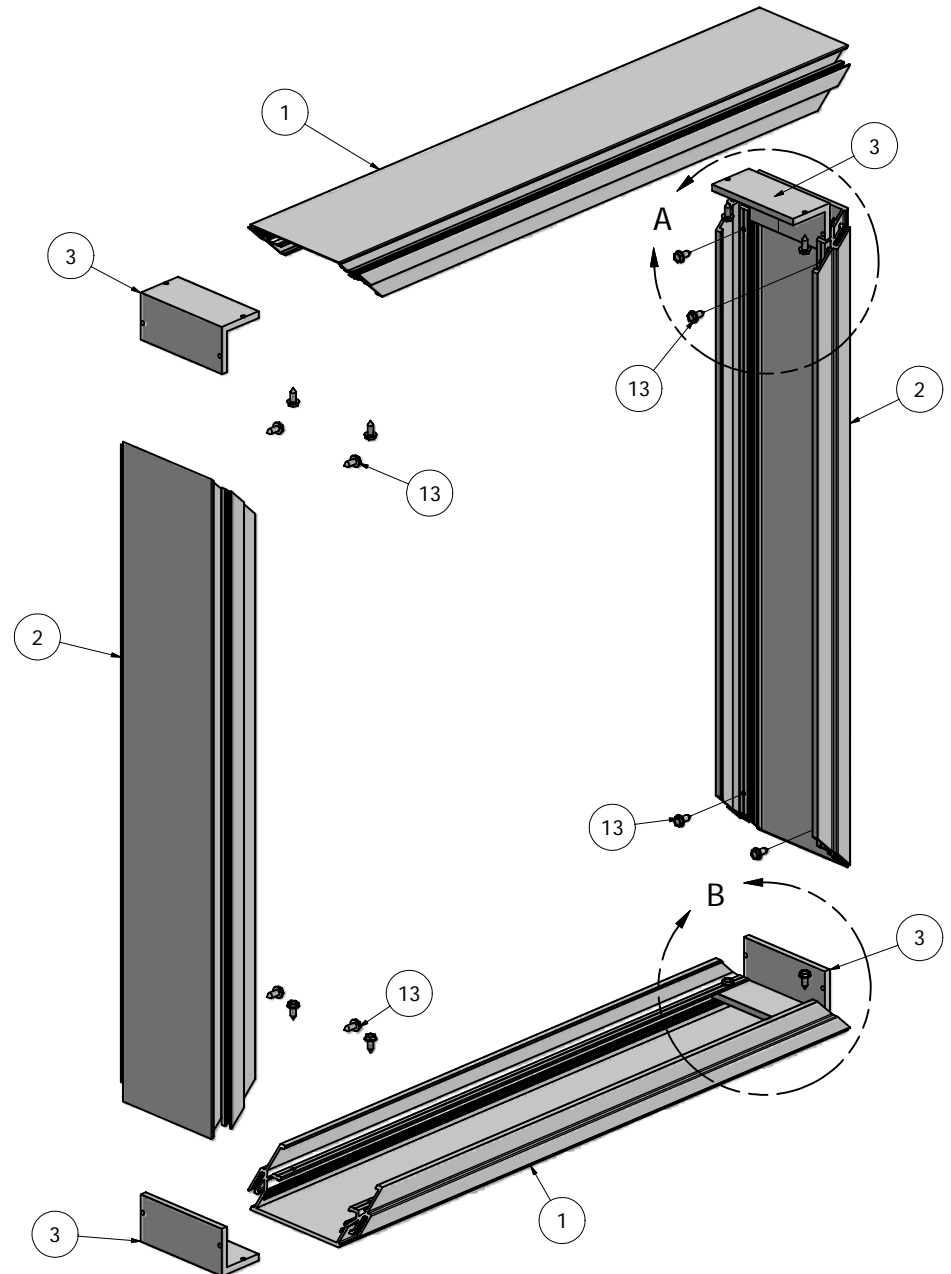
A

A

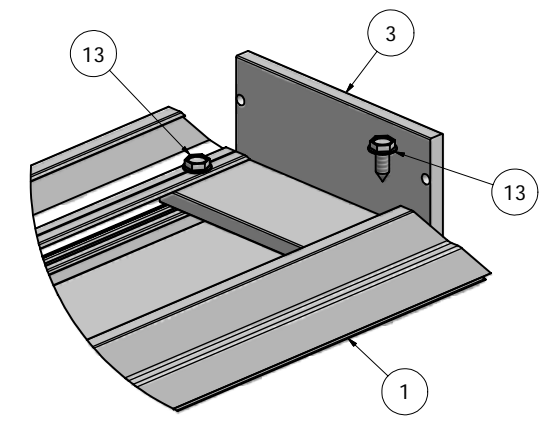
Parts List			
ITEM	PART #	DESCRIPTION	NOTES
1	1592	Series 7 Hinge Body	Top & Bottom
2	1592	Series 7 Hinge Body	Sides
3	5344	Series 7 Hinge Body Corner Angle	
13	5218	Corner Angle Screw	Drill 5/32" Pilot Hole

Ship To:

Order #:



DETAIL A



DETAIL B

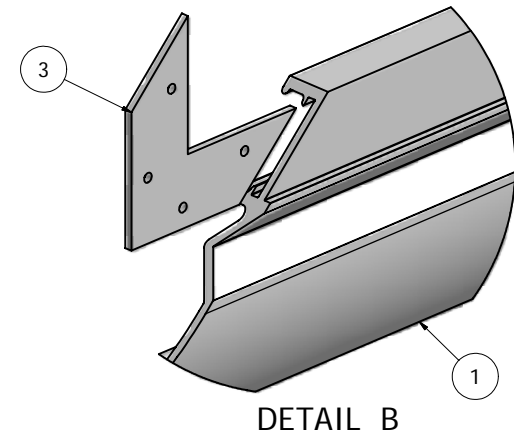
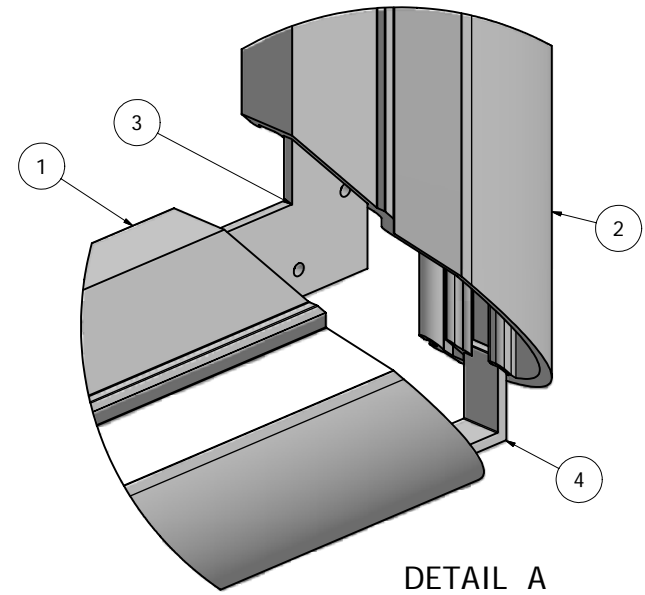
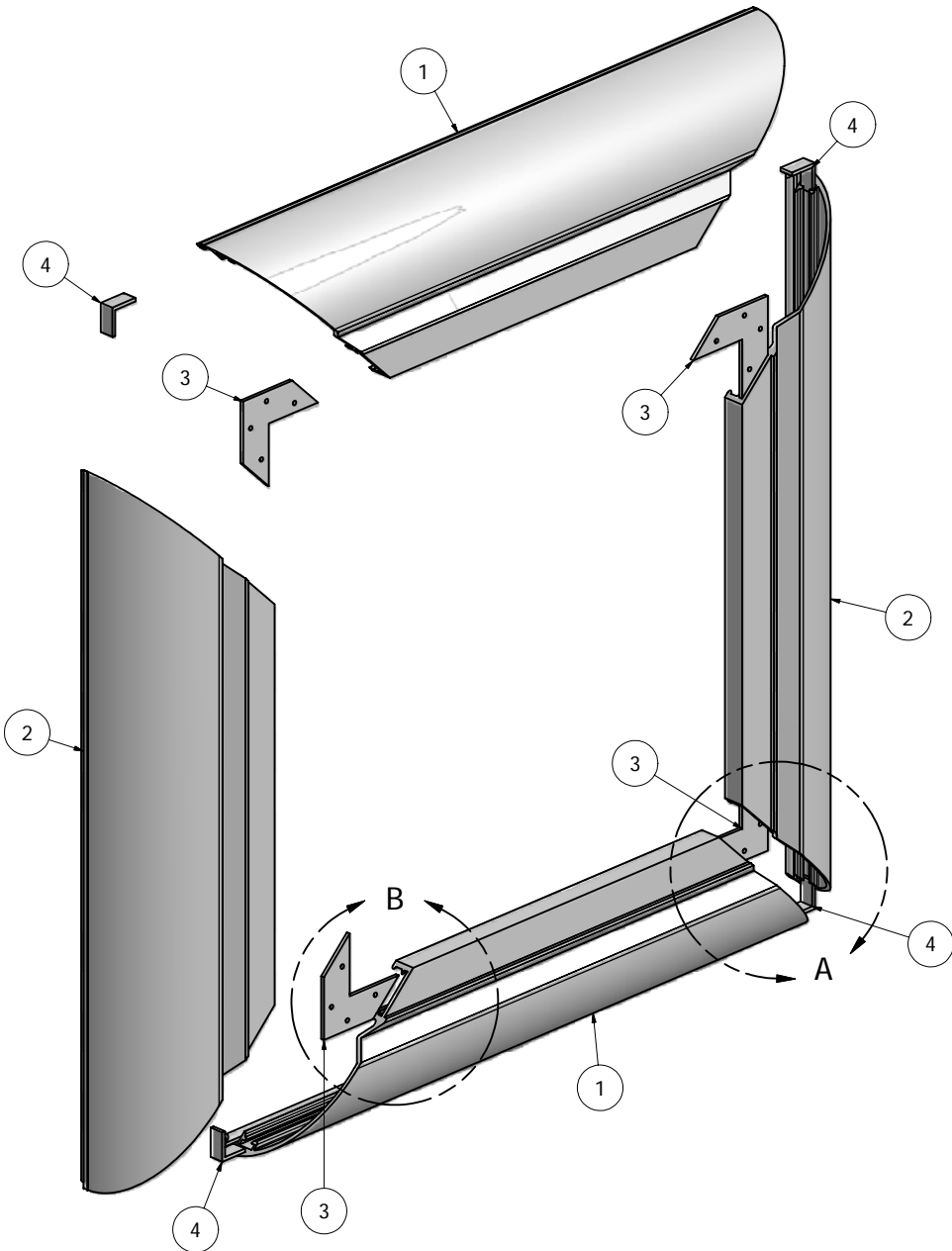
NOTE: PRE-CUT KITS ARE NOT PRE-DRILLED.
 (Holes shown in this drawing are for reference only.
 Drilling of pilot holes are to be done by fabricator.)

THIS DRAWING WAS CREATED AT NO CHARGE TO ASSIST YOU IN VISUALIZING OUR PROPOSAL. THE DRAWING HEREIN IS THE PROPERTY OF SIGNCOMP. PERMISSION TO COPY OR REVISE THIS DRAWING OR TO USE THIS DRAWING FOR PRODUCTION IS STRICTLY PROHIBITED AND CAN ONLY BE COPIED, REVISED OR USED FOR PRODUCTION WITH THE EXPRESSED WRITTEN PERMISSION OF SIGNCOMP.				
DRAWN Steve	12/12/2008	<div style="text-align: center;">SignComp</div> TITLE Series 7 Hinge Body - Assembly		
CHECKED				
QA				
MFG				
APPROVED				
		SIZE C	DWG NO K1592	REV
		SCALE	SHEET 1 OF 1	

Parts List			
ITEM	PART #	DESCRIPTION	NOTES
1	1655	Extended 1/4 Round Retainer w-Reveal	Top & Bottom
2	1655	Extended 1/4 Round Retainer w-Reveal	Sides
3	5210	Corner Key	Pre-Punched
4	5325	Extended 1/4 Round Retainer w-Reveal Corner Angle	

Ship To:

Order #:



NOTE: PRE-CUT KITS ARE NOT PRE-DRILLED.

(Holes shown in this drawing are for reference only.
Drilling of pilot holes are to be done by fabricator.)

THIS DRAWING WAS CREATED AT NO CHARGE TO ASSIST YOU IN VISUALIZING OUR PROPOSAL. THE DRAWING HEREIN IS THE PROPERTY OF SIGNCOMP. PERMISSION TO COPY OR REVISE THIS DRAWING OR TO USE THIS DRAWING FOR PRODUCTION IS STRICTLY PROHIBITED AND CAN ONLY BE COPIED, REVISED OR USED FOR PRODUCTION WITH THE EXPRESSED WRITTEN PERMISSION OF SIGNCOMP.

DRAWN	12/22/2008	SignComp	
CHECKED			
QA		TITLE	
MFG		Extended 1/4 Round Retainer w-Reveal - Assembly	
APPROVED		SIZE	DWG NO
		C	K1655
		SCALE	SHEET 1 OF 1